

## Nanoject Drummond microinjectors



*Micropipette for injection of nano-volumes.*

For electrophysiology, stereotaxis and animal injection.

Equipped with a high-precision positive displacement motor, the Nanoject II micropipette ensures repeatable and accurate dispensing volumes using capillaries.

Nanoject III is programmable for injection volume, speed, number of injections and interval between injections.

Both Nanojects are delivered complete with :

- the injection micropipette ;
- the electronic control box ;
- 1 capillary box L = 8.8 mm ;
- 1 capillary box L = 17.7 mm ;
- 1 x 30G needle for capillary filling ;
- nanoject universal mounting adapter
- maintenance accessories.

The micromanipulator must be ordered separately.

	Nanoject II	Nanoject III
Range of volumes (nanolitres)	2.3 - 69	0.06 - 999.9
Injection speed (nanolitres/sec)	23 - 46	10 - 200
Programmable	No	8 configurable
O-Ring	3	No
Cat. No.	<b>075058</b>	<b>075250</b>
€ Excl. VAT	NC -	NC -



### Accessories

Cat. No.	Description	€ Excl. VAT
<b>075059</b>	Capillary L = 8.8 cm	NC -
<b>075060</b>	Capillary L = 17.7 cm	NC -
<b>075062</b>	Needle 30G	NC -
<b>075063</b>	Optional foot switch for Nanoject II	NC -
<b>075251</b>	Optional foot switch for Nanoject III	NC -



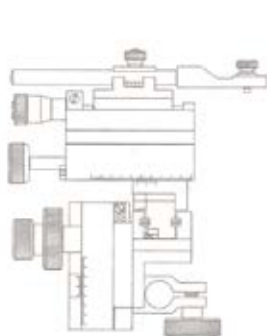
### Micromanipulator

Micromanipulator adapted to the use of the Nanoject II, with micrometric screw adjustment (1/100<sup>th</sup> mm).

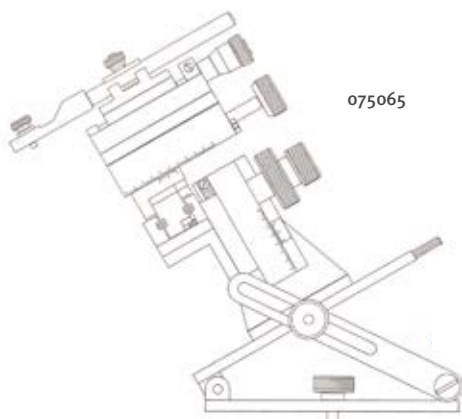
- X-axis: 37 mm stroke
- Y-axis: 20 mm stroke
- Z axis: 25 mm stroke

It can be mounted on a tilting base or a fixed stand (see diagram).  
L x W : 130 x 60 mm.

Cat. No.	Description	€ Excl. VAT
<b>075064</b>	Micromanipulator (left-hand position)	NC -
<b>075065</b>	Micromanipulator (right-hand position)	NC -
<b>075067</b>	Nanoject Universal Mounting Adapter	NC -
<b>075068</b>	Fix holder with rods	NC -



075064



075065